

MODEL NO: SVx-100 8M3BS1ASN
 ROTOR: Selector
 ALL PORTS: Manifold Ported
 WORKING PRESSURE: 3000 PSI
 RETURN PORT: 250 PSI MAX
 Cv: 9.2
 Flow (GPM): 75
 TEMP RATING: -30° TO 180°F

WORKING PRESSURE: 3000 PSI
 AIR ACTUATOR: 80-150 PSI
 MATERIAL:
 • SV BODY: 416 SS
 • HOUSING: Carbon Steel
 • INTERNAL SEALING COMPONENTS: 440c SS
 • AIR ACTUATOR:
 Body: 6061-T6 Alu

PacSeal Hydraulics Inc.

VALVES, ACCUMULATORS, CONTROLS

PROPRIETARY AND CONFIDENTIAL THE INFORMATION CONTAINED IN THIS DRAWING IS THE SOLE PROPERTY OF PacSeal Hydraulics. ANY REPRODUCTION IN PART OR AS A WHOLE WITHOUT THE WRITTEN PERMISSION OF PacSeal Hydraulics IS PROHIBITED.	-	-	-
	REV	ECN	DATE

TITLE	SVx-100 4-Way Selector, Manifold Ported
-------	--

SIZE	DWG. NO.	REV
A	40-2801	B
SCALE: 1:3	WEIGHT: 32	SHEET 1 OF 2

5

↑

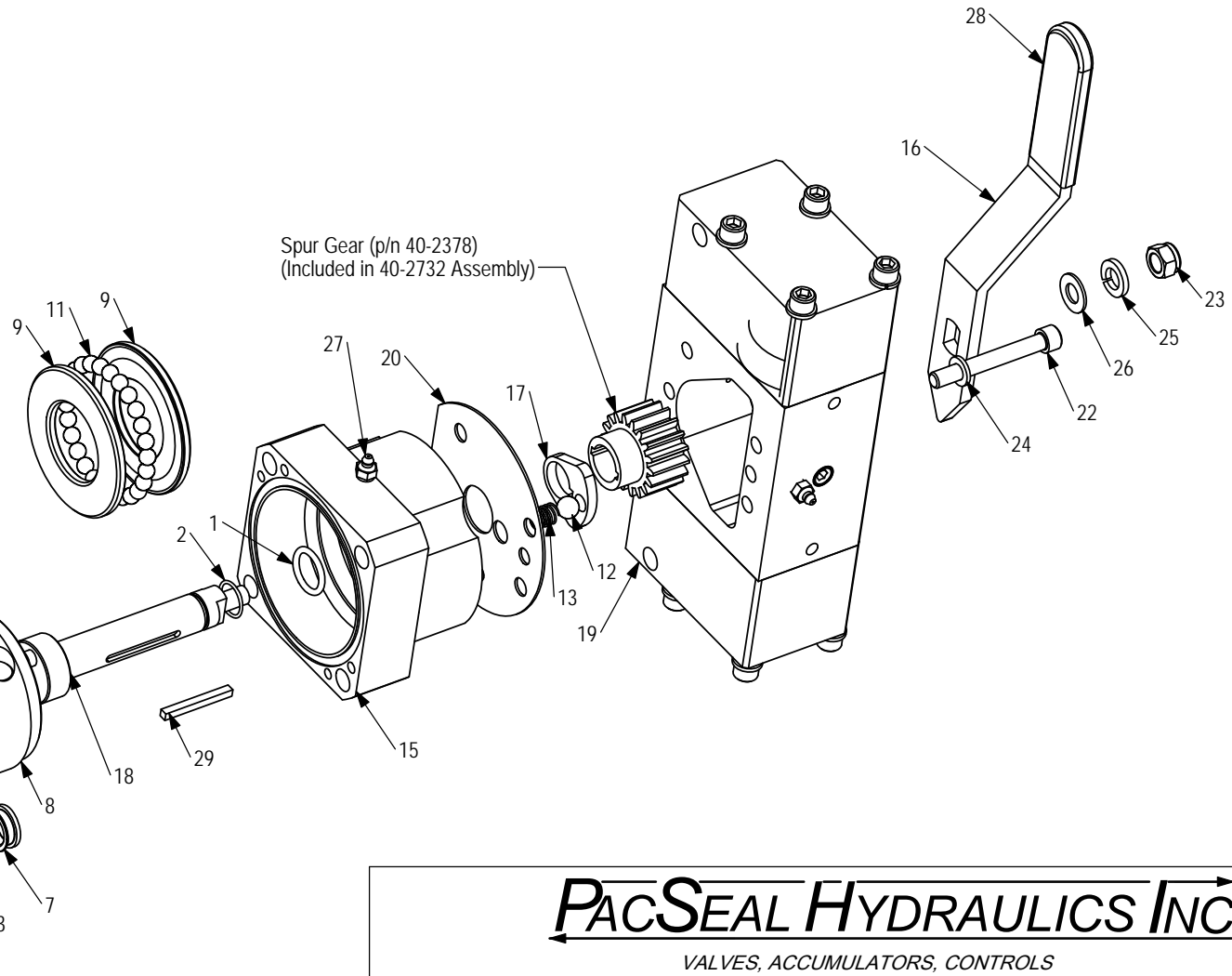
4

3

2

1

ITEM NO.	PART NUMBER	DESCRIPTION	QTY.
1	23-1122	O-Ring	1
2	23-1326	O-Ring	1
3	23-1331	Backup Ring	6
4	23-1332	O-Ring	3
5	23-1363	O-Ring	1
6	23-1425	O-Ring	4
7	40-0007	Seal Ring	3
8	40-0008	Rotor, Selector	1
9	40-0009	Thrust Washer	2
10	40-0027	Wave Spring	3
11	40-0049	Ball, Bearing	26
12	40-0174	Ball, Bearing	1
13	40-0295	Spring	1
14	40-1109	Body, Manifold Port, SV-100	1
15	40-1370	Housing, SVx-100	1
16	40-1447	Handle, SVx-100	1
17	40-2381	Detent, SVx-100	1
18	40-2695	Shaft, SVx-100A , Manifold Mount	1
19	40-2732	Air Actuator Ass'y, SVx-100	1
20	40-2744	Aluminum Gasket, SVx- Actuator	1
21	50-0066	SHCS	2
22	50-0079	SHCS	4
23	50-0093	Locknut	1
24	50-0103	Lock Washer	4
25	50-0104	Lock Washer	1
26	50-0108	Washer, Shaft	1
27	50-0176	Grease Fitting	1
28	50-0236	Grip, Handle	1
29	50-0402	Key	1



O-Ring: -213, 70 NBR

PROPRIETARY AND CONFIDENTIAL

THE INFORMATION CONTAINED IN THIS DRAWING IS THE SOLE PROPERTY OF PacSeal Hydraulics. ANY REPRODUCTION IN PART OR AS A WHOLE WITHOUT THE WRITTEN PERMISSION OF PacSeal Hydraulics IS PROHIBITED.

PACSEAL HYDRAULICS INC.

VALVES, ACCUMULATORS, CONTROLS

TITLE
SVx-100 4-Way Selector,
Manifold Ported

SIZE A	DWG. NO. 40-2801	REV B
SCALE: 1:4	WEIGHT: 32	SHEET 2 OF 2