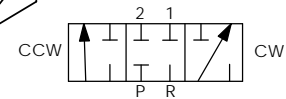
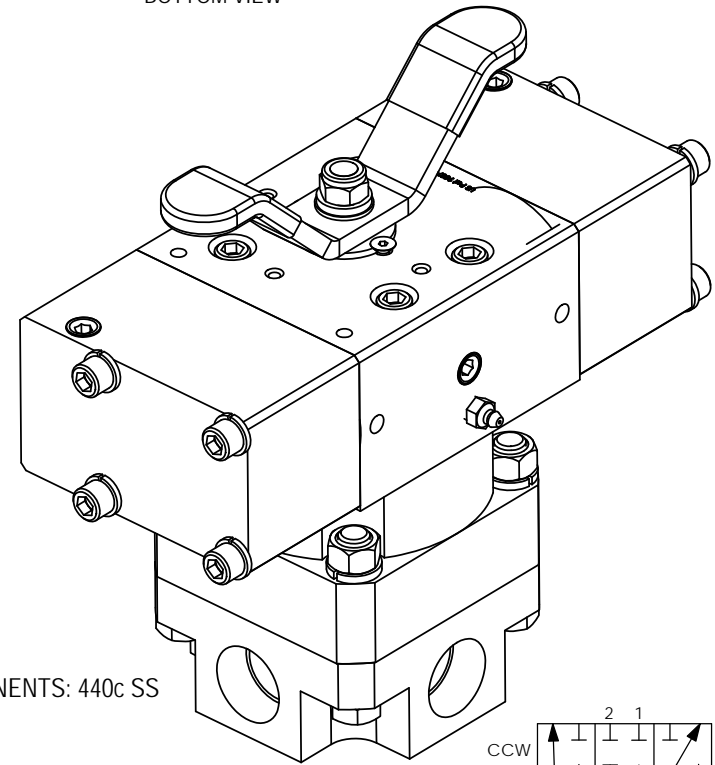
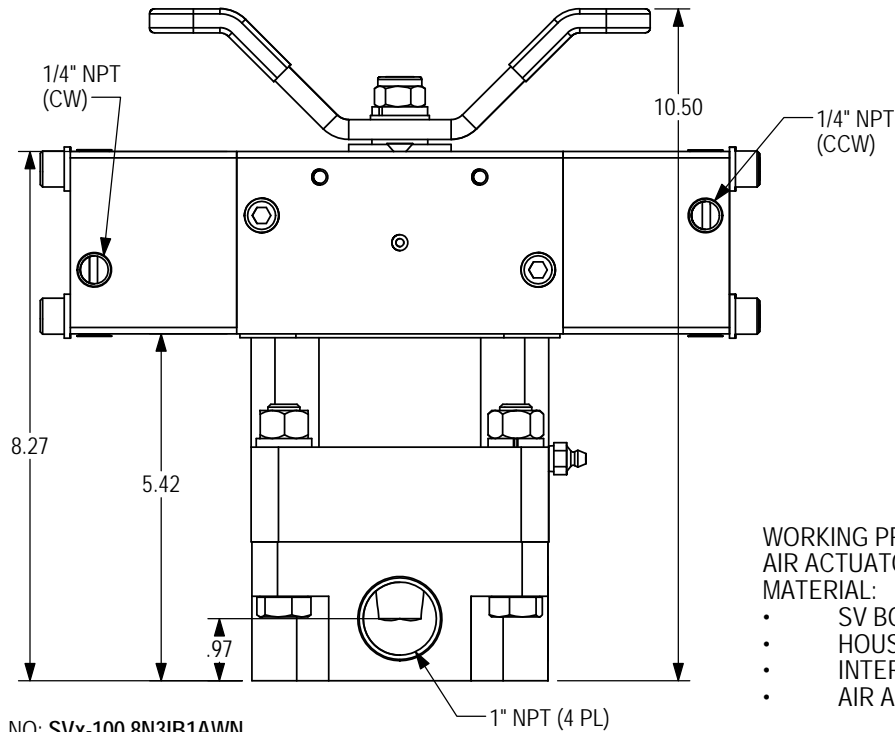


BOTTOM VIEW



WORKING PRESSURE: 3000 PSI
 AIR ACTUATOR: 80-150 PSI
 MATERIAL:

- SV BODY: 416 SS
- HOUSING: Carbon Steel
- INTERNAL SEALING COMPONENTS: 440c SS
- AIR ACTUATOR:
Body: 6061-T6 Alu

MODEL NO: SVx-100 8N3IB1AWN
 ROTOR: Bypass
 ALL PORTS: 1" NPT
 WORKING PRESSURE: 3000 PSI
 RETURN PORT: 250 PSI MAX
 Cv: 9.2
 Flow (GPM): 75
 TEMP RATING: -30° TO 180°F

PACSEAL HYDRAULICS INC.

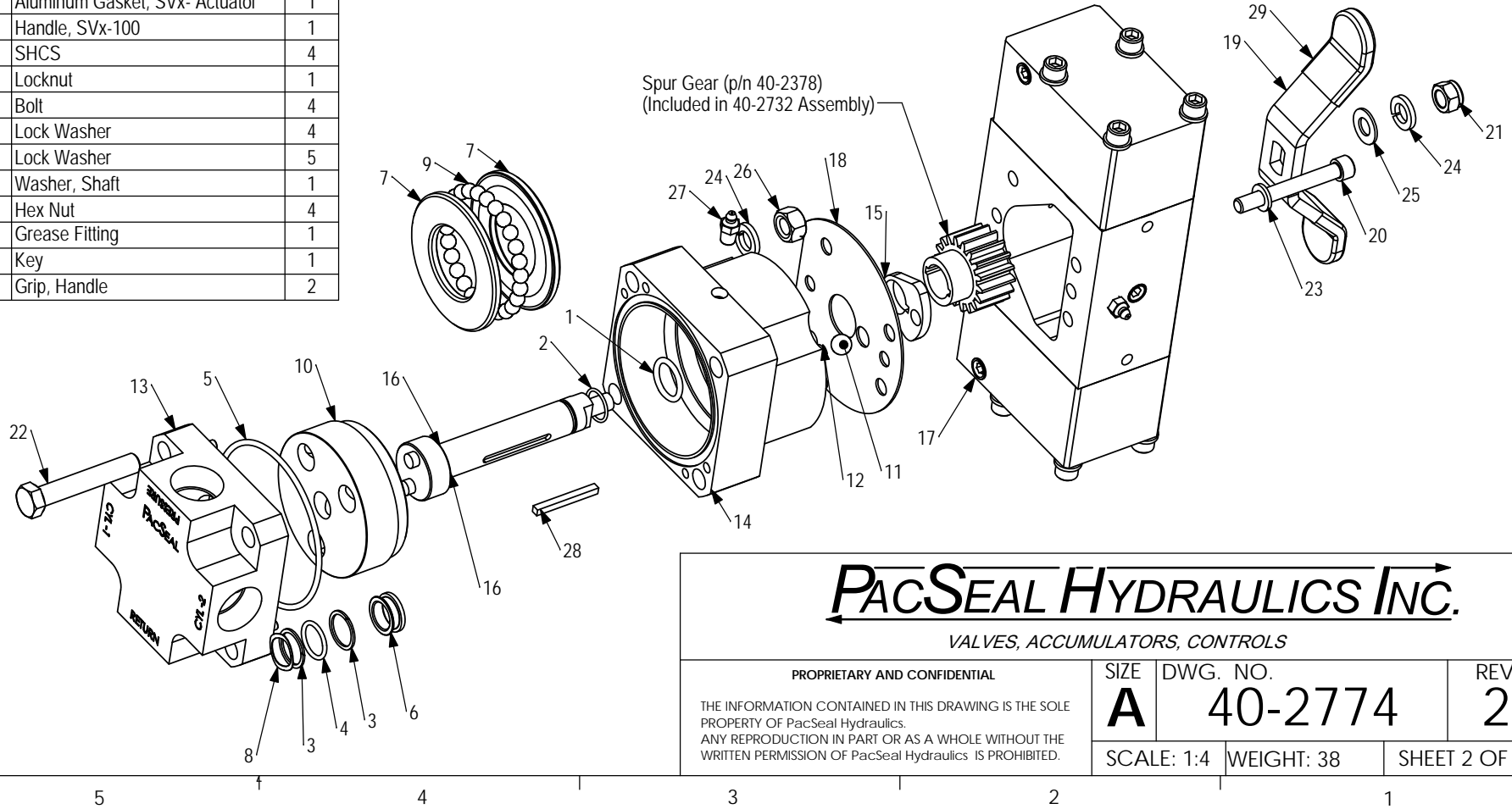
VALVES, ACCUMULATORS, CONTROLS

PROPRIETARY AND CONFIDENTIAL		
THE INFORMATION CONTAINED IN THIS DRAWING IS THE SOLE PROPERTY OF PacSeal Hydraulics. ANY REPRODUCTION IN PART OR AS A WHOLE WITHOUT THE WRITTEN PERMISSION OF PacSeal Hydraulics IS PROHIBITED.		
REV	ECN	DATE

TITLE	SVx-100 4-Way Bypass, Inline Ported
-------	-------------------------------------

SIZE	DWG. NO.	REV
A	40-2774	2
SCALE: 1:3	WEIGHT: 38	SHEET 1 OF 2

ITEM NO.	PART NUMBER	DESCRIPTION	QTY.
1	23-1122	O-Ring	1
2	23-1326	O-Ring	1
3	23-1331	Backup Ring	6
4	23-1332	O-Ring	3
5	23-1363	O-Ring	1
6	40-0007	Seal Ring	3
7	40-0009	Thrust Washer	2
8	40-0027	Wave Spring	3
9	40-0049	Ball, Bearing	26
10	40-0130	Rotor, Bypass	1
11	40-0174	Ball, Bearing	1
12	40-0295	Spring	1
13	40-0982	Body, SV-100	1
14	40-1370	Housing, SVx-100	1
15	40-2381	Detent, SVx-100	1
16	40-2695	Shaft, SVx-100A , Manifold Mount	1
17	40-2732	Air Actuator Ass'y, SVx-100	1
18	40-2744	Aluminum Gasket, SVx- Actuator	1
19	40-2746	Handle, SVx-100	1
20	50-0079	SHCS	4
21	50-0093	Locknut	1
22	50-0099	Bolt	4
23	50-0103	Lock Washer	4
24	50-0104	Lock Washer	5
25	50-0108	Washer, Shaft	1
26	50-0110	Hex Nut	4
27	50-0176	Grease Fitting	1
28	50-0402	Key	1
29	50-0446	Grip, Handle	2



PACSEAL HYDRAULICS INC.

VALVES, ACCUMULATORS, CONTROLS

PROPRIETARY AND CONFIDENTIAL

THE INFORMATION CONTAINED IN THIS DRAWING IS THE SOLE PROPERTY OF PacSeal Hydraulics. ANY REPRODUCTION IN PART OR AS A WHOLE WITHOUT THE WRITTEN PERMISSION OF PacSeal Hydraulics IS PROHIBITED.

SIZE A	DWG. NO. 40-2774	REV 2
SCALE: 1:4	WEIGHT: 38	SHEET 2 OF 2