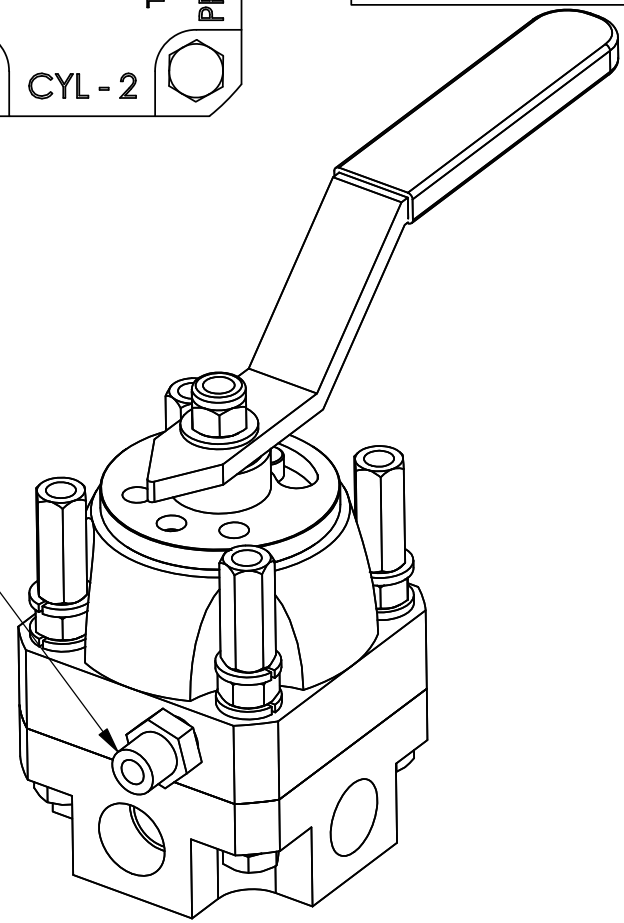


1/4" NPT (Case Drain)

- MATERIAL:**
- SV BODY: 416 SS
 - HOUSING: CARBON STEEL
 - HANDLE, DETENT & SPACERS: PLATED CARBON STEEL
 - SHAFT: 416 SS
 - SHEARFLO SEALING COMPONENTS: 440c HARDENED
 - O-RINGS: BUNA (NITRILE)
 - BACKUPS: TEFLON



MODEL NO: **4N3IPA1MN**
 ROTOR: Block Center
 ALL PORTS: 1/2" NPT
 WORKING PRESSURE: 3000 PSI
 Cv: 3.20
 FLOW: 30 (GPM)
 TEMP RATING: -30° TO 180°F

PROPRIETARY AND CONFIDENTIAL
 THE INFORMATION CONTAINED IN THIS DRAWING IS THE SOLE PROPERTY OF PacSeal Hydraulics. ANY REPRODUCTION IN PART OR AS A WHOLE WITHOUT THE WRITTEN PERMISSION OF PacSeal Hydraulics IS PROHIBITED.

PacSeal Hydraulics Inc.

VALVES, ACCUMULATORS, CONTROLS

TITLE
 SV-50/3K Inline Ported
 Block Center, Panel
 Mount

SIZE	DWG. NO.	REV
A	40-2477-PM	2
SCALE: 1:2	WEIGHT: 9	SHEET 1 OF 2

