

Model No.: KR-140N5DM
 MAX INLET: 5000 PSI
 REGULATED OUTLET: 300-3000 PSI
 SPECIFIED FLOW: 150 GPM
 Cv Outlet: 14.9
 Cv Vent: 2.80
 SUPPLY PORT (2): 1" NPT
 REGULATED OUTLET: 1-1/2" NPT
 VENT PORT (2): 1/2" NPT
 OPERATOR: MANUAL

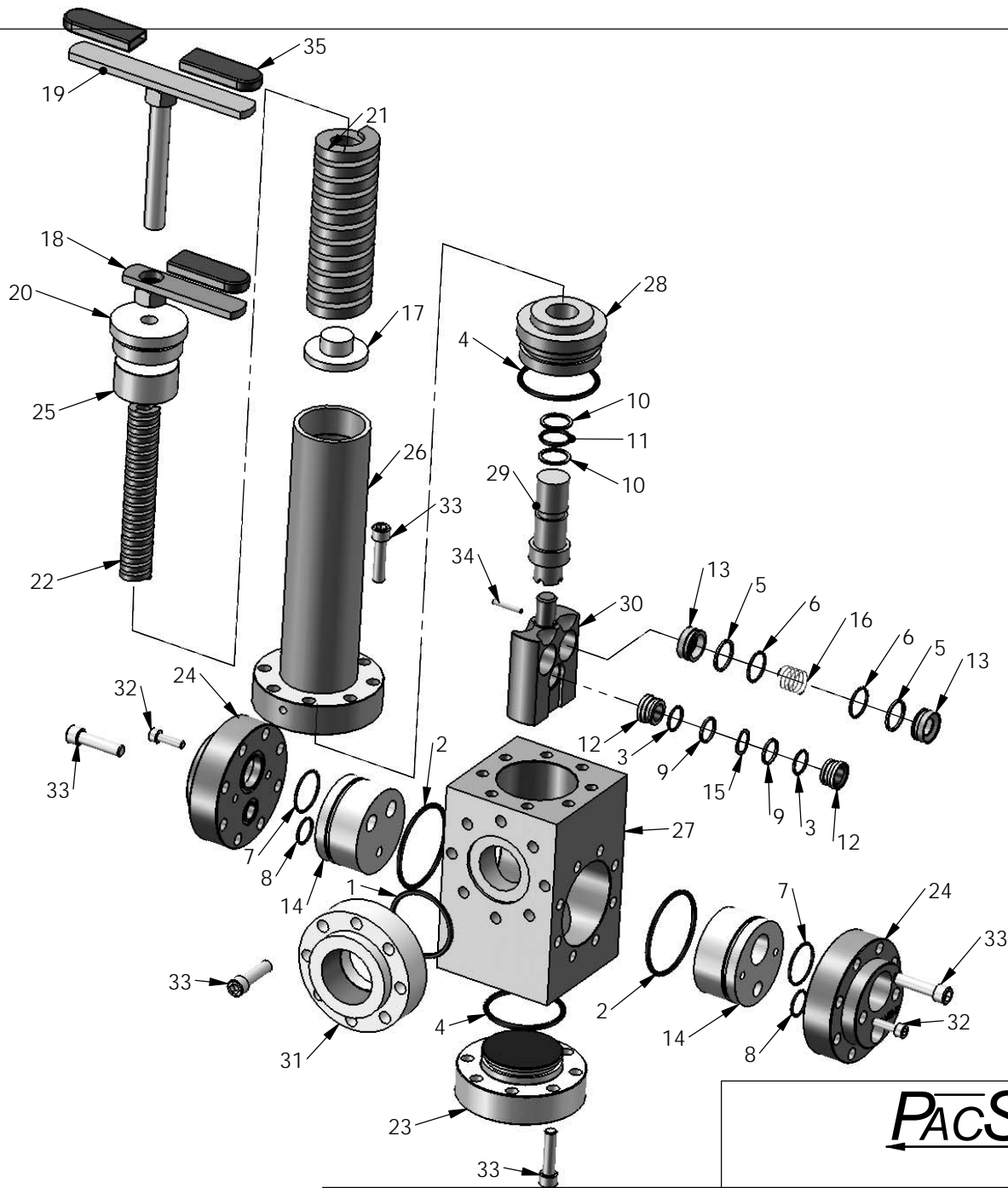
MATERIAL:
 • BODY: STAINLESS STEEL
 • FLANGES & OPERATORS: CARBON STEEL
 • INTERNAL: STAINLESS STEEL
 • O-RINGS: BUNA (NITRILE)
 • BACKUPS: TEFLON

TEMPERATURE RATING: -30°F TO 180°F
 WEIGHT: 75 LBS

PROPRIETARY AND CONFIDENTIAL
 THE INFORMATION CONTAINED IN THIS DRAWING IS THE SOLE PROPERTY OF PacSeal Hydraulics. ANY REPRODUCTION IN PART OR AS A WHOLE WITHOUT THE WRITTEN PERMISSION OF PacSeal Hydraulics IS PROHIBITED.

PacSeal Hydraulics Inc.
 VALVES, ACCUMULATORS, CONTROLS

TITLE	SIZE	DWG. NO.	REV
Regulator, KR-140 N5D Manual	A	40-2387	1
SCALE: 1:6		SHEET 1 OF 2	



ITEM NO.	PART NUMBER	DESCRIPTION	QTY.
1	23-1126	O-Ring	1
2	23-1263	O-Ring	2
3	23-1293	O-Ring	2
4	23-1319	O-Ring	2
5	23-1322	Backup Ring	4
6	23-1323	O-Ring	4
7	23-1325	O-Ring	2
8	23-1326	O-Ring	2
9	23-1329	Backup Ring	2
10	23-1331	Backup Ring	2
11	23-1332	O-Ring	1
12	40-0013	Seal Ring, Vent, KR-75	2
13	40-0014	Seal Ring, Supply	4
14	40-0016	Flow Plate	2
15	40-0109	Wave Spring	1
16	40-0110	Spring	2
17	40-0134	Spring Plate	1
18	40-0135	Lock Handle	1
19	40-0136	Adjusting Screw & Handle	1
20	40-0140	Plug, Adjustment Head	1
21	40-0143	Spring, Outer	1
22	40-0144	Spring, Inner	1
23	40-0197	Flange, Lower	1
24	40-0198	Flange, Main	2
25	40-0300	Spring Guide	1
26	40-0383	Ajstment Head	1
27	40-0950	Body, KR-140	1
28	40-1076	Plunger Guide, KR-75 D	1
29	40-1077	Piston, KR-75D	1
30	40-1292	Seal Container	1
31	40-1384	Flange, Outlet	1
32	50-0066	Bolt, SHCS	4
33	50-0069	Bolt, SHCS	40
34	50-0117	Roll Pin	1
35	50-0239	Grip, Handle	3

PACSEAL HYDRAULICS INC.

VALVES, ACCUMULATORS, CONTROLS

PROPRIETARY AND CONFIDENTIAL
 THE INFORMATION CONTAINED IN THIS DRAWING IS THE SOLE PROPERTY OF PacSeal Hydraulics. ANY REPRODUCTION IN PART OR AS A WHOLE WITHOUT THE WRITTEN PERMISSION OF PacSeal Hydraulics IS PROHIBITED.

TITLE
Regulator, KR-140 N5D Manual

SIZE A	DWG. NO. 40-2387	REV 1
SCALE: 1:5		SHEET 2 OF 2