

MODEL No. KR-75N6VM  
 MAX INLET: 6000 PSI  
 REGULATED OUTLET: 500-5000 PSI  
 SPECIFIED FLOW: 75 GPM  
 Cv Outlet: 9.40  
 Cv Vent: 1.40  
 SUPPLY PORT: 1" NPT  
 REGULATED OUTLET: 1" NPT  
 VENT PORT: 1/2" NPT  
 OPERATOR: MANUAL OPERATOR  
 TEMPERATURE RATING: -30°F TO 180°F  
 WEIGHT: 48 LBS

MATERIAL:  
 • BODY: STAINLESS STEEL  
 • FLANGES & OPERATORS: CARBON STEEL  
 • INTERNAL: STAINLESS STEEL  
 • O-RINGS: BUNA (NITRILE)  
 • BACKUPS:TEFLON

**PacSeal HYDRAULICS INC.**

VALVES, ACCUMULATORS, CONTROLS

PROPRIETARY AND CONFIDENTIAL

THE INFORMATION CONTAINED IN THIS DRAWING IS THE SOLE PROPERTY OF PacSeal Hydraulics. ANY REPRODUCTION IN PART OR AS A WHOLE WITHOUT THE WRITTEN PERMISSION OF PacSeal Hydraulics IS PROHIBITED.

TITLE

Regulator, KR-75M

SIZE

**A**

DWG. NO.

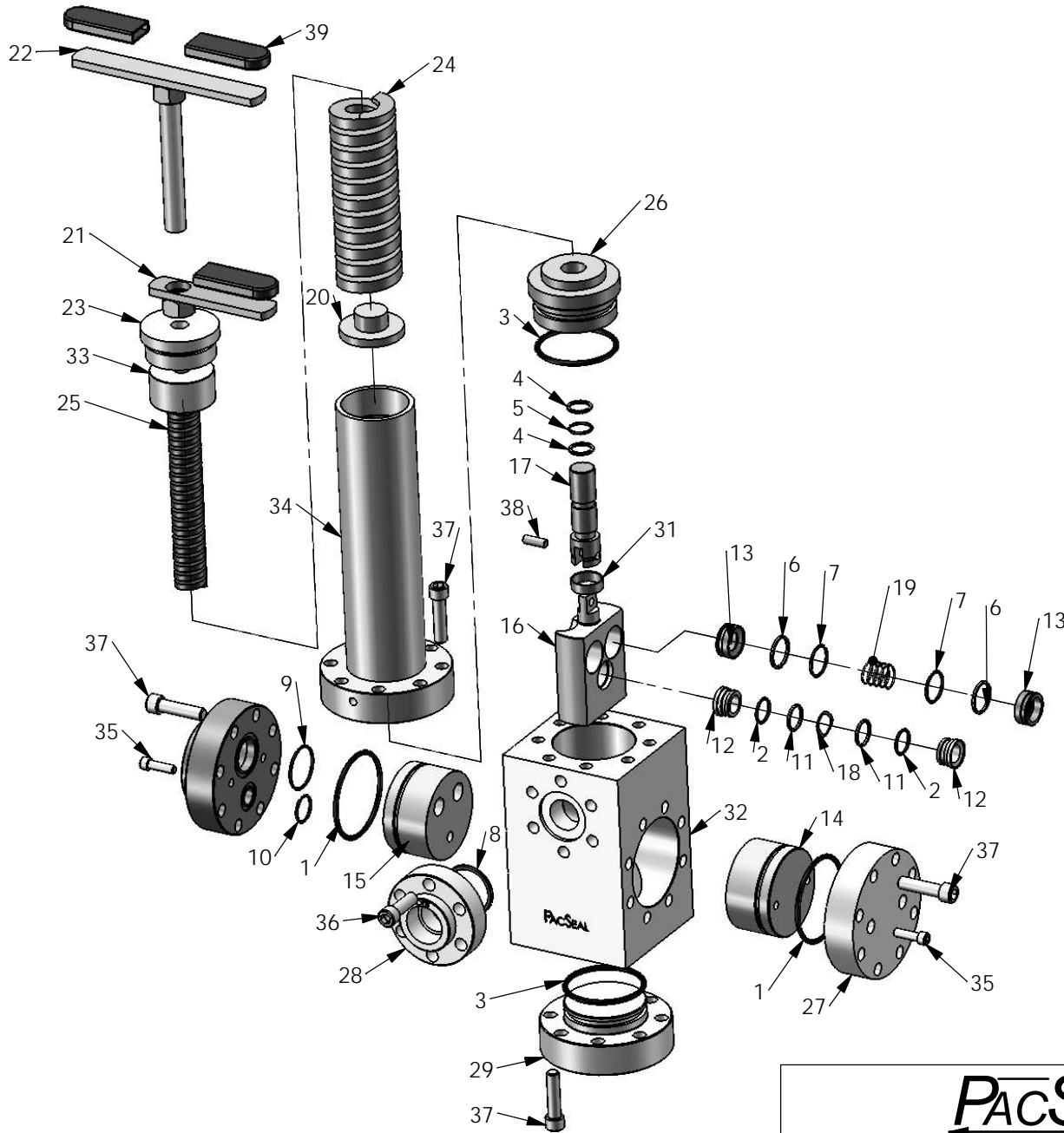
40-2187

REV

1

SCALE: 1:5

SHEET 1 OF 2



ITEM NO.	PART NUMBER	DESCRIPTION	QTY.
1	23-1263	O-Ring	2
2	23-1293	O-Ring	2
3	23-1319	O-Ring	2
4	23-1320	Backup Ring	2
5	23-1321	O-Ring	1
6	23-1322	Backup Ring	4
7	23-1323	O-Ring	4
8	23-1324	O-Ring	1
9	23-1325	O-Ring	1
10	23-1326	O-Ring	1
11	23-1329	Backup Ring	2
12	40-0013	Seal Ring, Vent, KR-75	2
13	40-0014	Seal Ring, Supply	4
14	40-0015	Flow Plate, Blind	1
15	40-0016	Flow Plate	1
16	40-0106	Seal Container	1
17	40-0107	Piston	1
18	40-0109	Wave Spring	1
19	40-0110	Spring	2
20	40-0134	Spring Plate	1
21	40-0135	Lock Handle	1
22	40-0136	Adjusting Screw & Handle	1
23	40-0140	Plug, Adjustment Head	1
24	40-0143	Spring, Outer	1
25	40-0144	Spring, Inner	1
26	40-0186	Plunger Guide, KR-75	1
27	40-0195	Flange, Blind	1
28	40-0196	Flange, Outlet	1
29	40-0197	Flange, Lower	1
30	40-0198	Flange, Main	1
31	40-0199	Pin, Retainer	1
32	40-0200	Body, KR-75	1
33	40-0300	Spring Guide	1
34	40-0383	Ajustment Head	1
35	50-0066	SHCS	4
36	50-0068	Bolt, SHCS	6
37	50-0069	Bolt, SHCS	32
38	50-0087	Dowel Pin	1
39	50-0239	Grip, Handle	3

**PacSEAL HYDRAULICS INC.**

VALVES, ACCUMULATORS, CONTROLS

PROPRIETARY AND CONFIDENTIAL  
 THE INFORMATION CONTAINED IN THIS DRAWING IS THE SOLE PROPERTY OF PacSeal Hydraulics. ANY REPRODUCTION IN PART OR AS A WHOLE WITHOUT THE WRITTEN PERMISSION OF PacSeal Hydraulics IS PROHIBITED.

TITLE  
 Regulator, KR-75M

SIZE <b>A</b>	DWG. NO. <b>40-2187</b>	REV <b>1</b>
------------------	----------------------------	-----------------

SCALE: 1:5 SHEET 2 OF 2