

MODEL No. KR-75M 3RM
 MAX INLET: 3000 PSI
 REGULATED OUTLET: 500-2000 PSI
 SPECIFIED FLOW: 75 GPM
 Cv Outlet: 9.40
 Cv Vent: 1.40
 SUPPLY PORT: 1" NPT
 REGULATED OUTLET: 1" NPT
 VENT PORT: 1/2" NPT
 OPERATOR: MANUAL

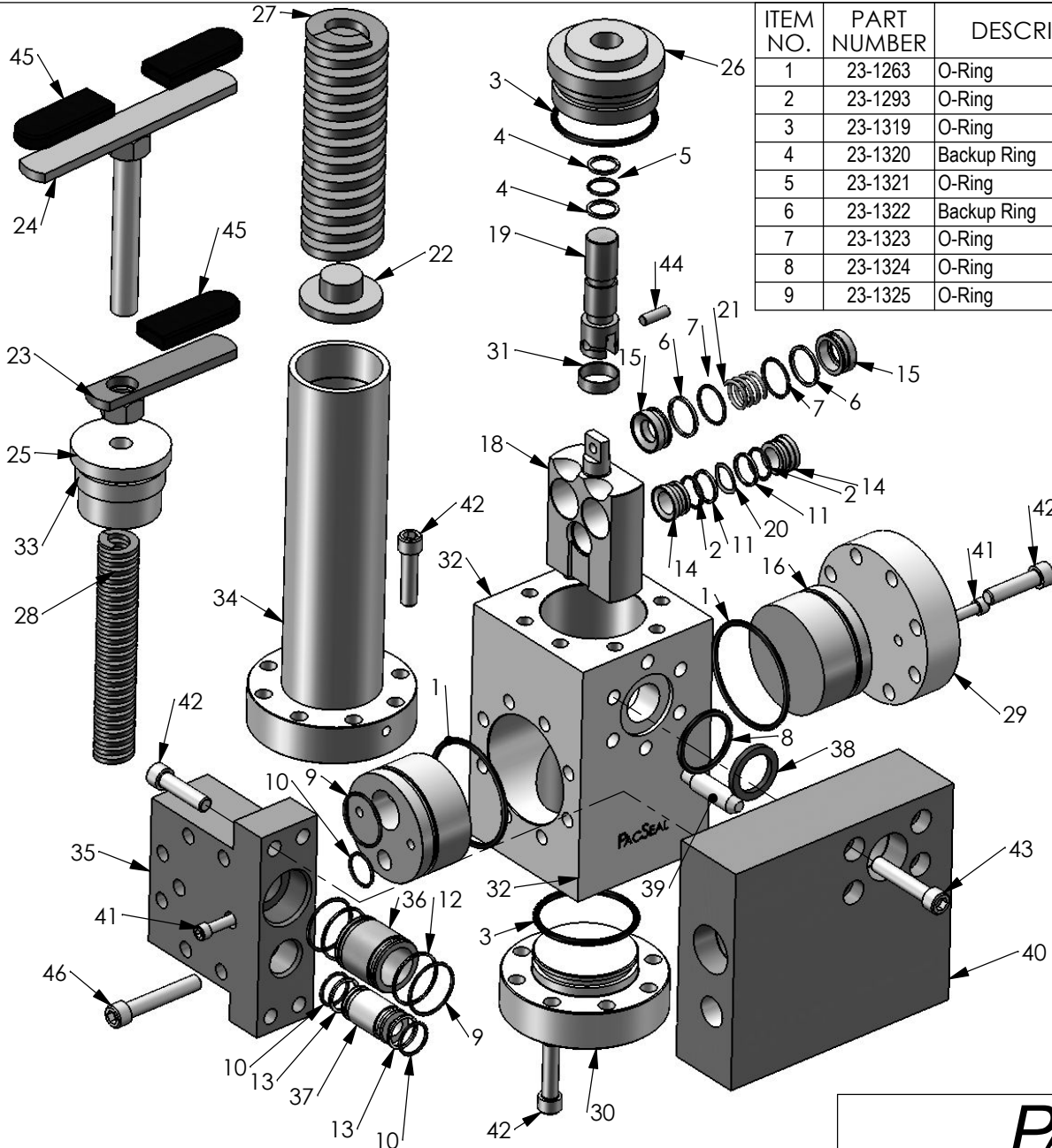
MATERIAL:
 • BODY: STAINLESS STEEL
 • FLANGES & OPERATORS: CARBON STEEL
 • INTERNAL: STAINLESS STEEL
 • O-RINGS: BUNA (NITRILE)
 • BACKUPS: TEFLON

TEMPERATURE RATING: -30°F TO 180°F
 WEIGHT: 73 LBS

PROPRIETARY AND CONFIDENTIAL
 THE INFORMATION CONTAINED IN THIS DRAWING IS THE SOLE PROPERTY OF PacSeal Hydraulics. ANY REPRODUCTION IN PART OR AS A WHOLE WITHOUT THE WRITTEN PERMISSION OF PacSeal Hydraulics IS PROHIBITED.

PacSeal Hydraulics Inc.
 VALVES, ACCUMULATORS, CONTROLS

TITLE	SIZE	DWG. NO.	REV
KR-75M SPM w/1" NPT L.P.	A	40-2004	4
SCALE: 1:5		EST.WEIGHT: 72	SHEET 1 OF 2



ITEM NO.	PART NUMBER	DESCRIPTION	QTY.
1	23-1263	O-Ring	2
2	23-1293	O-Ring	2
3	23-1319	O-Ring	2
4	23-1320	Backup Ring	2
5	23-1321	O-Ring	1
6	23-1322	Backup Ring	4
7	23-1323	O-Ring	4
8	23-1324	O-Ring	1
9	23-1325	O-Ring	3

ITEM NO.	PART NUMBER	DESCRIPTION	QTY.
10	23-1326	O-Ring	3
11	23-1329	Backup Ring	2
12	23-1433	Backup Ring	2
13	23-1509	Backup Ring	2
14	40-0013	Seal Ring, Vent, KR-75	2
15	40-0014	Seal Ring, Supply	4
16	40-0015	Flow Plate, Blind	1
17	40-0016	Flow Plate	1
18	40-0106	Seal Container	1
19	40-0107	Piston	1
20	40-0109	Wave Spring	1
21	40-0110	Compression Spring	2
22	40-0134	Spring Plate	1
23	40-0135	Lock Handle	1
24	40-0136	Adjusting Screw & Handle	1
25	40-0140	Plug, Adjustment Head	1
26	40-0186	Plunger Guide, KR-75	1
27	40-0189	Spring, Outer	1
28	40-0190	Spring, Inner	1
29	40-0195	Flange, Blind	1
30	40-0197	Flange, Lower	1
31	40-0199	Pin, Retainer	1
32	40-0200	Body, KR-75	1
33	40-0300	Spring Guide	1
34	40-0383	Ajustment Head	1
35	40-1255	Left Flange, Sub Plate Mount	1
36	40-1256	Seal Sub	1
37	40-1257	Seal Sub	1
38	40-1279	Spacer Ring	1
39	40-1293	Locating Pin	1
40	40-2151	Subplate, KR-75	1
41	50-0066	SHCS	4
42	50-0069	Bolt, SHCS	28
43	50-0080	SHCS	4
44	50-0087	Dowel Pin	1
45	50-0239	Grip, Handle	3
46	50-0338	SHCS	6

PacSeal HYDRAULICS INC.

VALVES, ACCUMULATORS, CONTROLS

PROPRIETARY AND CONFIDENTIAL
 THE INFORMATION CONTAINED IN THIS DRAWING IS THE SOLE PROPERTY OF PacSeal Hydraulics. ANY REPRODUCTION IN PART OR AS A WHOLE WITHOUT THE WRITTEN PERMISSION OF PacSeal Hydraulics IS PROHIBITED.

TITLE
 KR-75M SPM w/1" NPT L.P.

SIZE	DWG. NO.	REV
A	40-2004	4

SCALE: 1:4 SHEET 2 OF 2