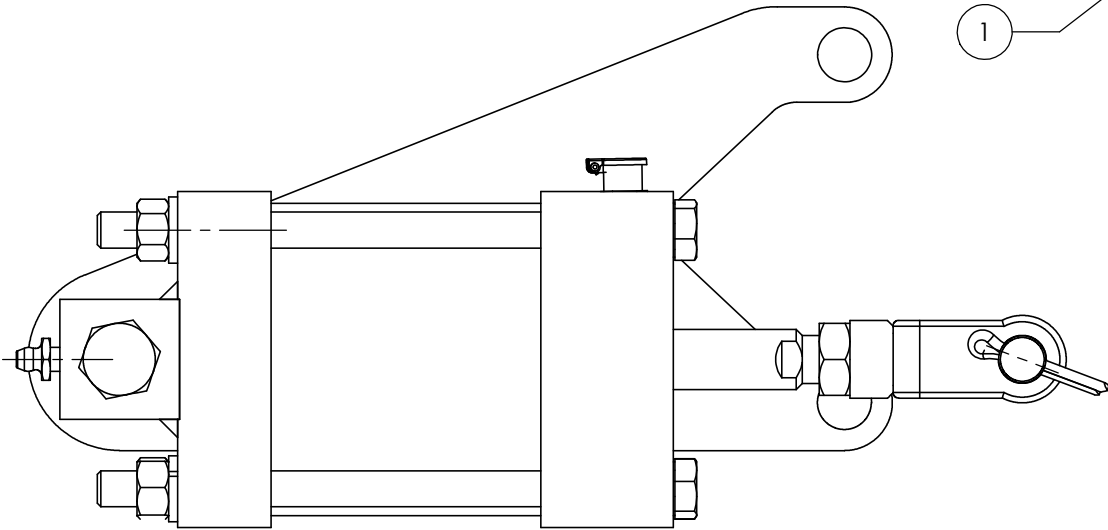
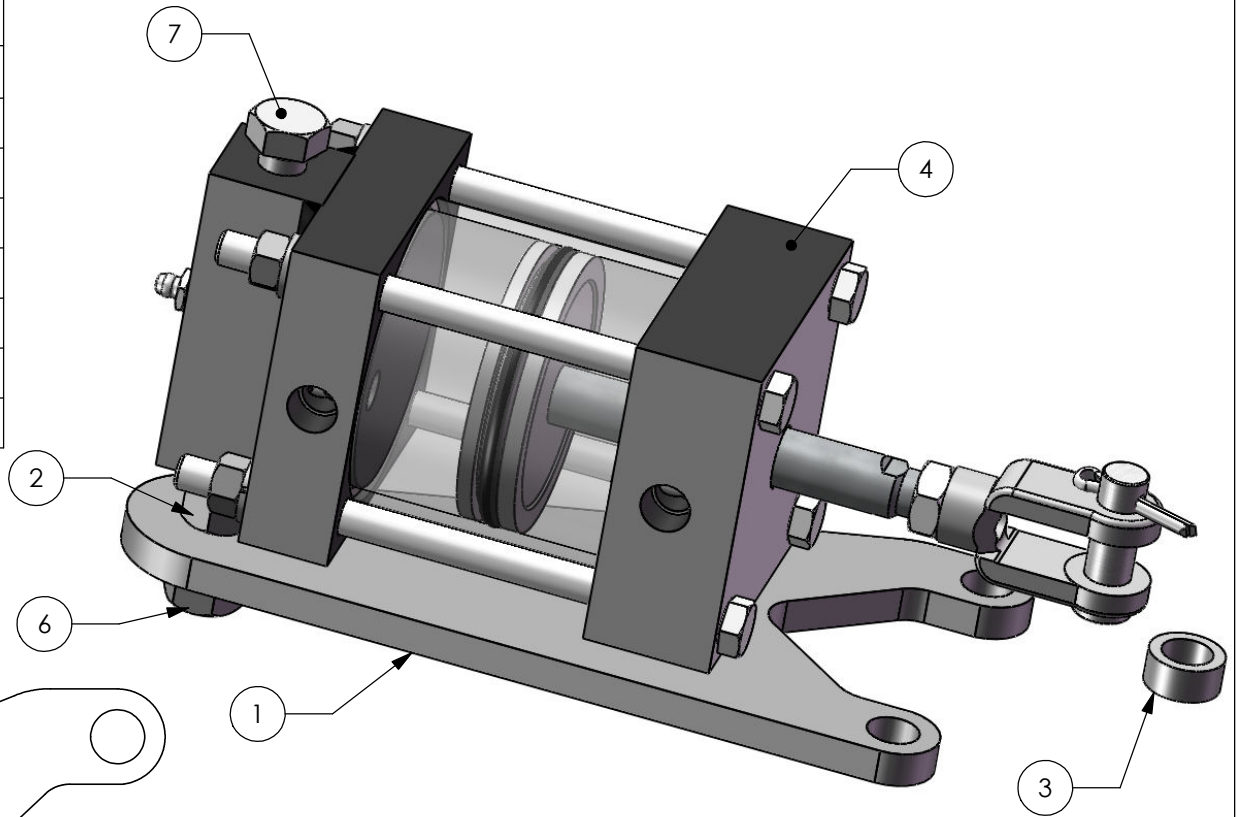


Air Cylinder Kit - 3"

| ITEM NO. | PART NUMBER | DESCRIPTION | QTY. |
|----------|-------------|---|------|
| 1 | 40-0455 | Bracket, AAC-302 | 1 |
| 2 | 40-0558 | Spacer Nut, AAC-302 | 1 |
| 3 | 40-0559 | Spacer, AAC-302 | 1 |
| 4 | 40-1580 | Air Actuator Cylinder Assembly - 3" 2 Position; AAC-302 | 1 |
| 5 | 50-0104 | Lock Washer | 1 |
| 6 | 50-0110 | Hex Nut | 1 |
| 7 | 50-0165 | Hex Head Bolt | 1 |



PACSEAL HYDRAULICS INC.

VALVES, ACCUMULATORS, CONTROLS

PROPRIETARY AND CONFIDENTIAL
 THE INFORMATION CONTAINED IN THIS DRAWING IS THE SOLE PROPERTY OF PacSeal Hydraulics. ANY REPRODUCTION IN PART OR AS A WHOLE WITHOUT THE WRITTEN PERMISSION OF PacSeal Hydraulics IS PROHIBITED.

TITLE
Air Cylinder Kit, 3" (AAC-302)

| | | |
|------------------|----------------------------|-----------------|
| SIZE A | DWG. NO. 40-1787 | REV 1 |
| SCALE: 1:2 | WEIGHT: 15 | |