

**MATERIAL:**

- SV BODY: BRASS
- HOUSING: CARBON STEEL
- HANDLE, DETENT & SPACERS: PLATED CARBON STEEL
- SHAFT: 416 SS
- SHEARFLOW SEALING COMPONENTS: 440c HARDENED
- O-RINGS: BUNA (NITRILE)
- BACKUPS: TEFLON

MODEL NO: SV25-2N3ISS1MN  
 ROTOR: SELECTOR  
 ALL PORTS: 1/4" NPT  
 WORKING PRESSURE: 3000 PSI  
 RETURN PORT: 250 PSI MAX  
 Cv: .95  
 FLOW: 10 (GPM)  
 TEMP RATING: -30° TO 180°F

**PROPRIETARY AND CONFIDENTIAL**

THE INFORMATION CONTAINED IN THIS DRAWING IS THE SOLE PROPERTY OF PacSeal Hydraulics. ANY REPRODUCTION IN PART OR AS A WHOLE WITHOUT THE WRITTEN PERMISSION OF PacSeal Hydraulics IS PROHIBITED.

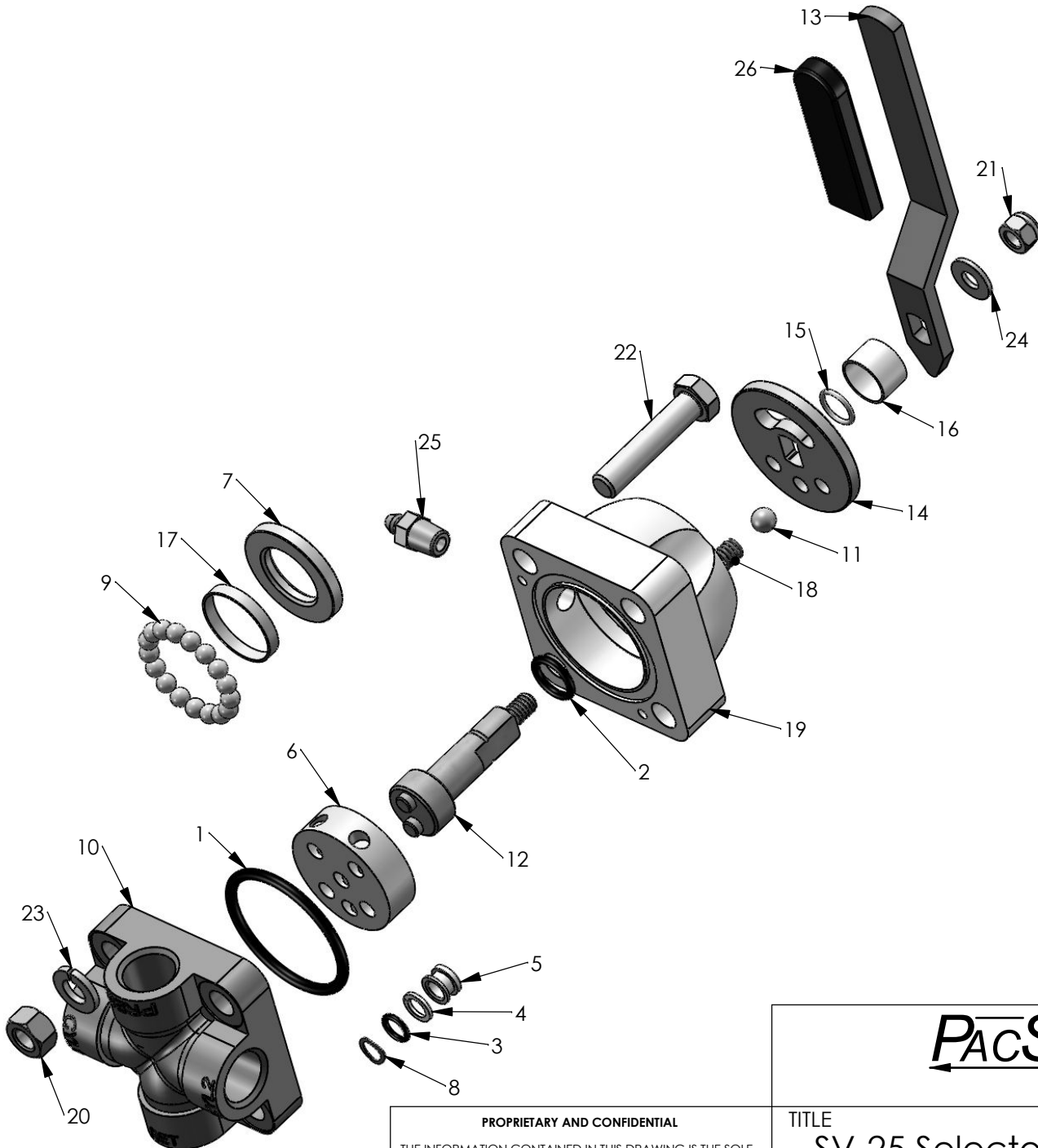
**PacSeal Hydraulics Inc.**

VALVES, ACCUMULATORS, CONTROLS

TITLE  
**SV-25 Selector Inline Ported**

SIZE <b>A</b>	DWG. NO. <b>40-1529</b>	REV <b>1</b>
------------------	----------------------------	-----------------

SCALE: 1:2	WEIGHT: 5	SHEET 1 OF 2
------------	-----------	--------------



ITEM NO.	PART NUMBER	DESCRIPTION	QTY.
1	23-1330	O-Ring	1
2	23-1337	O-Ring	1
3	23-1338	O-Ring	3
4	23-1339	Backup Ring	3
5	40-0001	Seal Ring	3
6	40-0002	Rotor, Selector	1
7	40-0003	Thrust Washer	1
8	40-0028	Wave Spring	3
9	40-0048	Ball, Bearing	17
10	40-0255	Body, SV-25	1
11	40-0259	Ball, Bearing	1
12	40-0274	Shaft, SV-25	1
13	40-0279	Handle, SV-25	1
14	40-0287	Detent Disc	1
15	40-0290	Retaining Ring	1
16	40-0293	Spacer Ring	1
17	40-0294	SV-25 Ball Retainer	1
18	40-0297	Spring	1
19	40-0352	Housing, SV-25	1
20	50-0078	Hex Nut	4
21	50-0091	Locknut	1
22	50-0097	Bolt	4
23	50-0103	Lock Washer	4
24	50-0106	Washer, Shaft	1
25	50-0176	Grease Fitting	1
26	50-0238	Grip, Handle	1

# PACSEAL HYDRAULICS INC.

VALVES, ACCUMULATORS, CONTROLS

**PROPRIETARY AND CONFIDENTIAL**  
 THE INFORMATION CONTAINED IN THIS DRAWING IS THE SOLE PROPERTY OF PacSeal Hydraulics. ANY REPRODUCTION IN PART OR AS A WHOLE WITHOUT THE WRITTEN PERMISSION OF PacSeal Hydraulics IS PROHIBITED.

TITLE  
**SV-25 Selector Inline Ported**

SIZE <b>A</b>	DWG. NO. <b>40-1529</b>	REV <b>1</b>
------------------	----------------------------	-----------------

SCALE: 1:2	WEIGHT: 5	SHEET 2 OF 2
------------	-----------	--------------